



Rancher

Kids Ride on Car

Installation and Operation Instructions



Please read this instruction manual carefully. It is important to read and follow all the steps during assembly to ensure proper operation and safety of the child. Please keep this manual for future reference.




**Scan this QR Code
to view the
Assembly Video**

SPECIFICATIONS:

Battery Type:	12V10AH	Avg. Speed:	2 – 5 MPH
Age Range:	2 – 6 Years	Charging time:	8-12 hrs – Minimum 1 Charge per month
Max. Weight:	70 lbs	Avg. Use Time:	48-90 Minutes (depending on use)
Product Size:	51”L x 30”W x 25”H	Remote Battery:	2 - AAA (not included)

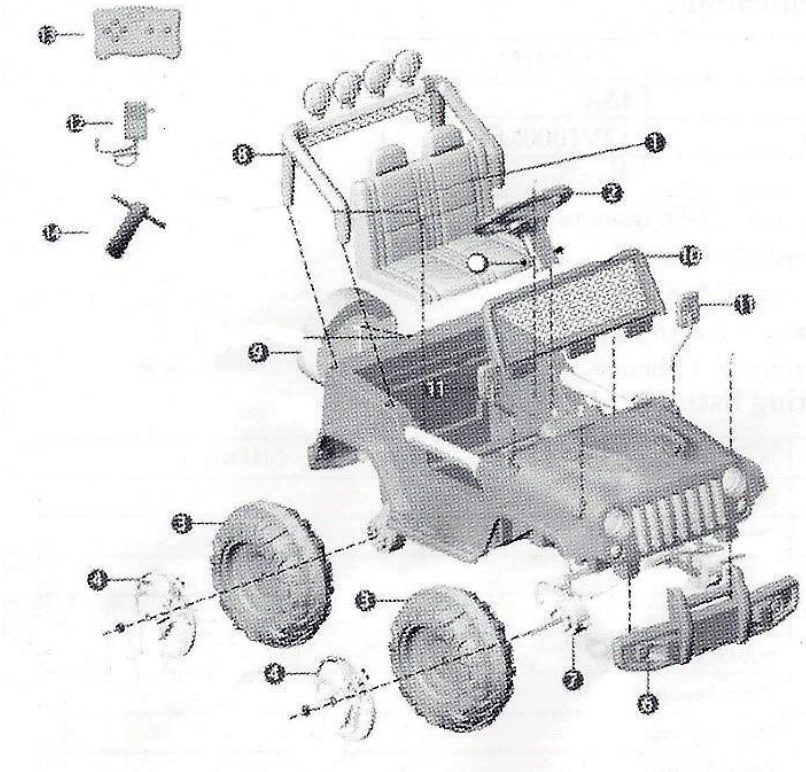
IMPORTANT!

<ul style="list-style-type: none"> Assembly of car and charging of battery is only to be done by an adult.  	<ul style="list-style-type: none"> WARNING!! NOT TO BE USED ON STREETS OR IN TRAFFIC.
<ul style="list-style-type: none"> Never modify the electric circuit system or tamper with electric system. Can cause permanent damage. 	<ul style="list-style-type: none"> Please check the product regularly for any loose parts or wires to ensure proper operation.
<ul style="list-style-type: none"> Adult supervision is recommended during operation by child to avoid injury. Safety equipment is recommended. 	<ul style="list-style-type: none"> Please make sure that the child uses caution to avoid falls and collisions causing injury to the child or third party.
<ul style="list-style-type: none"> Do not pick up vehicle by steering wheel. 	<ul style="list-style-type: none"> Do not pick up battery by wires or charger.
<ul style="list-style-type: none"> Keep all plastic bags out of the reach of young children. 	<ul style="list-style-type: none"> Not recommended for children under the age of 2 yrs. due to small parts that could cause a choking hazard.
<ul style="list-style-type: none"> Battery must be charged for a minimum of 8-12 hours prior to first use of the car to avoid damage to the battery. Power switch must be in off position when charging. 	<ul style="list-style-type: none"> Battery charger should be examined for damage prior to each use. It is important to inspect the cord and both ends for damage. If damage is found, DO NOT USE THE CHARGER! Contact us for replacement charger.
<ul style="list-style-type: none"> Please retain instruction manual for future reference. 	<ul style="list-style-type: none"> Please retain packaging in the event it is necessary to return.

If the charger is plugged into the charging port, the car will not power up regardless if the charger is plugged into the wall outlet or not.

PARTS LIST

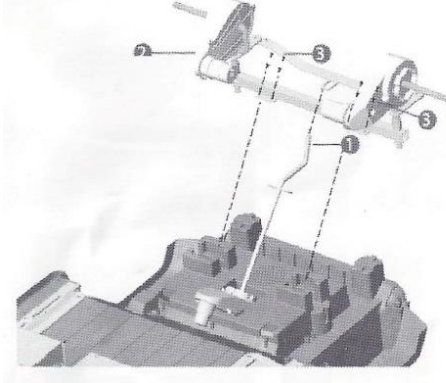
#	Name	Qty	#	Name	Qty
1	Seat	1	9	Spare Tire Storage	1
2	Steering Wheel	1	10	Windshield	1
3	Wheels	4	11	Mirrors	2
4	Wheel Cover	4	12	Charger	1
6	Front Bumper	1	14	Wheel Nut Wrench	2
7	Steering axle assembly	2		Screws, Nuts, & Washers	
8	Searchlight kit	3			



[All assembly videos can be found on YouTube under SPORTrax](#)

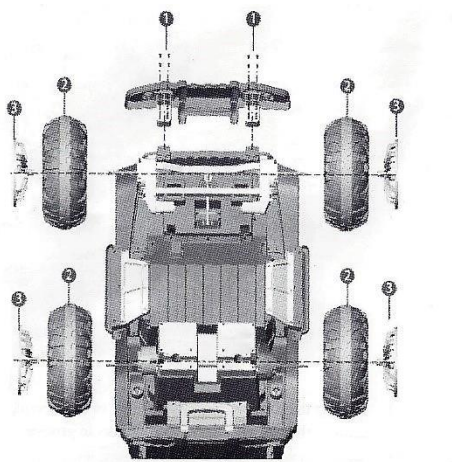
1: Install Front Steering Axle Assembly:

Turn car upside down. Insert steering rod, into the steering motor located in the center on the car, towards the front. Make sure steering rod is aligned with the motor, and coming out the dashboard. Place the steering axle assembly with the motors into place on the body of the car (as shown in the photo). Secure into place with 4 screw per side.



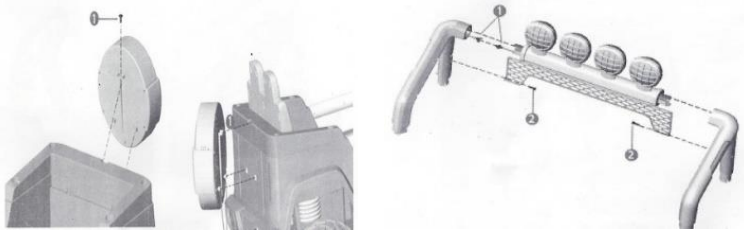
2: Installation of the wheels, wheel covers & front bumper:

Place front bumper into place as shown in picture. Secure with 4 screws on each side. Remove lug nut and washer from each side of axle. Slide wheel into place, and make sure to align hub adaptor to motor. Slide washer, then nut back on and tighten down with wheel nut wrenches. Do not over tighten tires because this could cause premature motor failure. Repeat process for back wheel assembly. Place wheel covers on with 3- screws each on all 4 wheels.



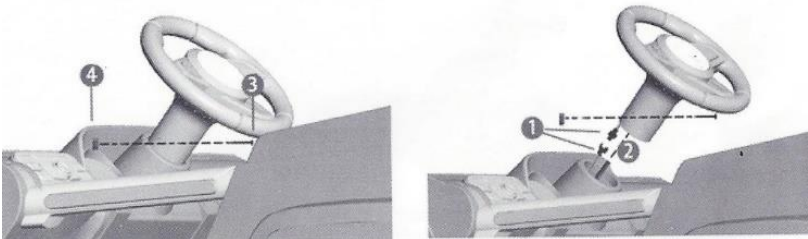
3: Installation of the spare tire storage and searchlight assembly:

Turn the car right side up. Install spare tire storage box onto the rear of the body. Secure with 1 screw at top of the box. Connect wire connector on end of light bar to corresponding connector from side bracket. Feed wire from bar down through hole you are inserting bar into. Connect with body wiring. Secure mesh with 2- screws on each side.



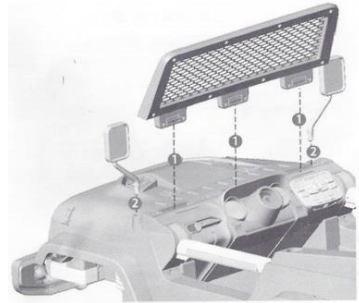
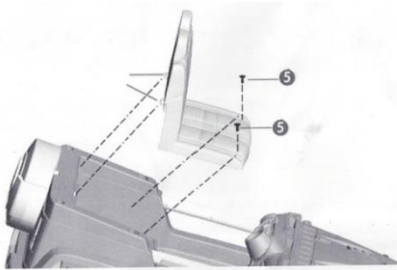
4: Installation of the steering wheel:

Connect the wire connector from the steering wheel to the corresponding wire connector from the steering column. Remove supplied steering wheel nut and bolt from the steering wheel. Slide steering wheel onto the steering shaft and secure it back on with the nut and bolt. May be necessary to push up from the steering rod on the bottom of vehicle to align the hole to finish connecting steering wheel.

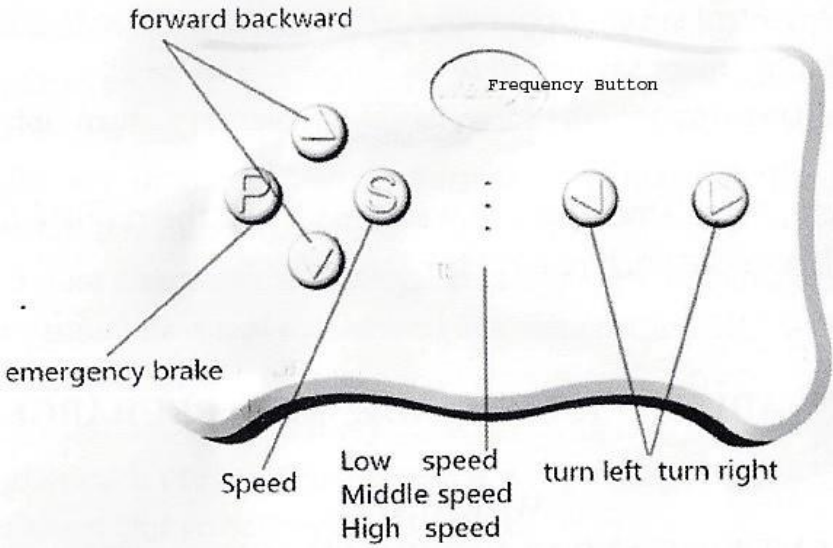


5. Installation of seat, windshield, and mirrors:

Place the seat into position and secure with 2 - screws. If you would like to use the seat belt, make sure they are hanging out of vehicle before installing seat. Put the windshield into place and push down until you hear it click into place. In the same way, place each side mirror into place and push down until you hear it click into place.



Remote Control Function



Remote Control Instructions: For the first time use of remote control or after replacing the battery, you need to sync the remote to the car.

- a) Install the remote-control batteries (AA not included).
- b) Hold the frequency button (Large button at top of remote) 2-4 seconds, the Low speed LED light should be flashing.
- c) Turn on the car by pressing the Power button, the Low speed LED light should still be flashing and then turn to a steady light. If correct, then sync succeeded.
- d) If the syncing failed (Low speed LED light still flashing), remove the batteries and repeat steps a – b.
- e) Without operation of remote after 10 seconds the remote-control indication light will go off and into power saving mode.
- f) Button Descriptions:

▲ Forward ▼ Backward ► Turn Right ◀ Turn Left

S = Speed – Push button P = Emergency brake, press it once to stop motion

for speed selection.

3 speed selections

of the

of car. Pressing it again will release the emergency brake, restoring the functions

car.



Charging the battery:

The charging port is located on the right side of the dashboard under the power button. Plug the charger into the charging port first, then plug the charger into a wall outlet.

Please Note: As a safety precaution and to avoid damage to the charger, the car will not power up while charger port is plugged into the car.

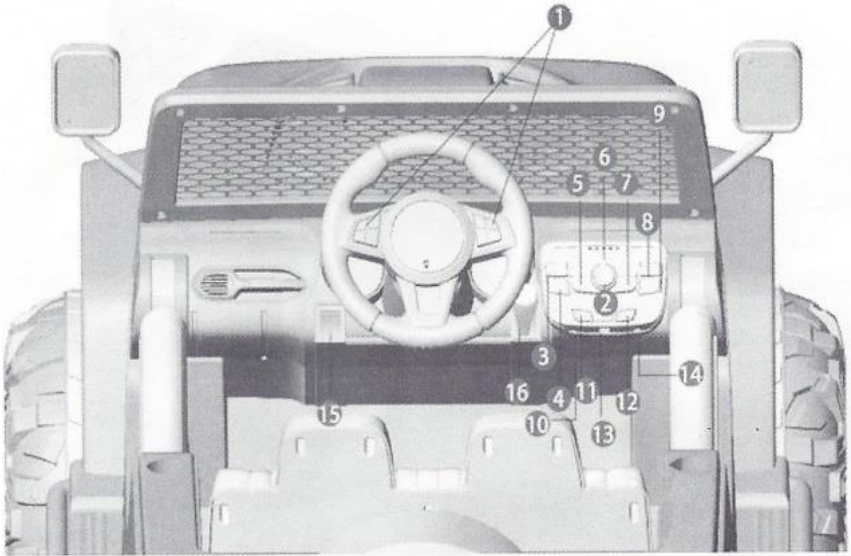
BATTERY MUST BE CHARGED FOR A MINIMUM OF 8 HOURS BEFORE INITIAL USE TO AVOID DAMAGE TO THE BATTERY. ONLY AN ADULT SHOULD CHARGE AND RECHARGE THE BATTERY!

BATTERY REPLACEMENT AND DISPOSAL:

The battery will eventually lose the ability to hold a charge. Depending on the amount of use, and varying conditions, the battery should operate for one to three years. Follow these steps to replace and/or dispose of the battery:

- Turn the locking button on the hood to unlock position & open hood.
- Disconnect the battery connectors
- Remove the metal battery bracket
- Carefully lift the battery - you may want to wear protective gloves before removal - **Do Not** lift the battery by its connectors or cables
- Place the dead battery in a plastic bag
- Replace the battery and reconnect the connectors
- Replace the metal battery bracket
- Close the hood and turn the locking button on the hood to the lock position.

Main Functions



1. Music Button: Press these buttons to start the onboard music
2. Power Button: Turn vehicle on and off
3. Back Button: press to go back to previous song, hold button to increase volume
4. Forward Button: Press to go to next song, hold button to decrease volume
5. Pause Button: Press button to pause music, press button again to restart music
6. Power Display: Displays the level of charge in the battery
7. Music Button: Press button to start the music
8. Bluetooth Speaker: Press button, connect mobile phone, then the car can play music and perform calling functions from the phone.
9. FM Button: Switch between Storytelling, music, and radio
10. MP3 Slot
11. No Use
12. Light Button: turn lights on and off
13. Charging Socket: Plug charger in to charge the vehicle
14. Micro SD Card Slot
15. No Use
16. Shift Switch: Changes the direction the vehicle moves, forward or backward

WARNING:

- Use only the rechargeable battery and charger supplied with your vehicle. **NEVER** substitute the battery or charger with another brand. Using another battery or charger may cause damage.
- **NEVER** modify the electric circuit system. Tampering with the electric system may cause permanent damage to the system.
- **Do not** allow direct contact between battery terminals.
- **Do not** allow any type of liquid on the battery or its components.
- Charge the battery in a well-ventilated area **ONLY**. Do not charge near or around flammable materials.
- **NEVER** pick up the battery by the wires or charger. Damage can occur to the battery and may cause a fire. Pick up the battery by the case **ONLY**.
- Charge the battery in a dry area **ONLY**.

Wash hands after handling.

- **Do not** open the battery. Battery contains lead acid and other materials that are toxic and corrosive.
- **Do not** open the charger. Exposed wiring and circuitry inside case could cause electric shock. **NEVER** allow a child to handle or charge the battery. Battery is heavy and contains lead acid (electrolyte).
- **Do not** drop the battery. Permanent damage to the battery could occur or cause serious injury.
- Before charging the battery, check for wear or damage to the battery, charger, its supply cord and the connectors. **DO NOT** charge the battery if any damage to parts has occurred.
- **Do not** allow the battery to drain completely. Recharge the battery after each use or once per month if not used regularly.
- **Do not** charge the battery upside down.
- **Always** secure the battery with the bracket. Battery can fall out and injure a child if vehicle tips over.
- The **Power Switch** must be turned in the **OFF** position when charging.
- When the car begins to run slowly, recharge the battery.

GENERAL MAINTENANCE:

It is the parent's responsibility to check main parts of the toy before using. Regularly examine the car for potential hazard, such as damage to the battery, charger, cable or cord, and plug,. Also check that all screws are tightened throughout the car. In the event of such damage, the toy must not be used until that damage is repaired or replaced.

- Make sure the plastic parts of the vehicle are not cracked or broken.
- Occasionally use a lightweight oil to lubricate moving parts such as wheels.
- Park the vehicle indoors or cover it with a tarp to protect it from wet weather.
- Keep the vehicle away from sources of heat, such as stoves and heaters. Plastic parts may melt.
- Recharge the battery after each use. Only an adult should handle the battery. Recharge the battery at least once a month when not being used.
- Do not wash the vehicle with a hose. Do not wash the vehicle with soap and water. Do not drive the vehicle in rainy or snowy weather as water will damage the motor, electric system and battery.
- Clean the vehicle with a soft, dry cloth. To restore shine to plastic parts, use a non-wax furniture polish. Do not use car wax. Do not use abrasive cleaners.
- Do not drive the vehicle in loose dirt, sand or fine gravel which could damage moving parts, motors or the electric system.
- For extended times when the car will not be used, the power switch needs to be in the off position and the electrical connections should be disconnected from the battery.

TROUBLE SHOOTING GUIDE:

Problem	Possible Cause	Possible Solutions
Car will not move	<ol style="list-style-type: none"> 1. Battery voltage is low. 2. Battery connector or wires are loose. 3. Battery is damaged or dead. 4. Electrical box or motor is damaged 	Charge the battery Re-connect the battery connector to the car Replace battery Replace motor
The battery will not charge.	<ol style="list-style-type: none"> 1. Battery connector may have come apart or have a bad connection. 2. Battery charger plugged into a bad wall outlet. 3. Battery charger is damaged. 	Re-connect the battery connector to the car electrical connector Try another wall outlet Replace battery charger
Shortened battery life	Battery was not charged fully Battery is old	Charge battery fully Change battery
Some Noise and heat when charging battery	Chemical reaction	Normal
Low Speed	Battery is old Battery is low on charge Weight limit exceeded Uneven or uphill path Vehicle is being used in harsh conditions	Change the battery Charge the battery Do not exceed max weight limit Use on flat surfaces Avoid using car in harsh conditions
Noise coming from motor/gearbox	Gear in motor/gearbox broken	Call for replacement motor
The car shakes when moving	Bad Connection of the motor wires Possible motor failure	Reconnect wires Call for replacement motor
Car needs a push to go forward	Poor contact of wires and/or connectors "Dead Spot" on motor	Check that the battery connectors are firmly plugged into each other. If wires are loose around the motor, contact the distributor's service department A dead spot means the electric power is not being delivered to the terminal connection. Call our service department

Self-Resetting Breaker – The vehicle is equipped with a self-resetting breaker. In the event the power is tripped the breaker will reset itself in approximately one minute.

If you are unable to solve a problem, please feel free to contact us.

Phone: 402-477-0541 or Email: customerservice@rollinghillstrading.com